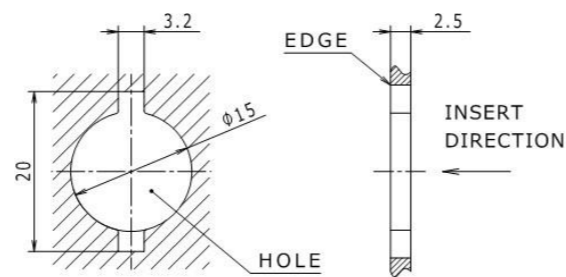
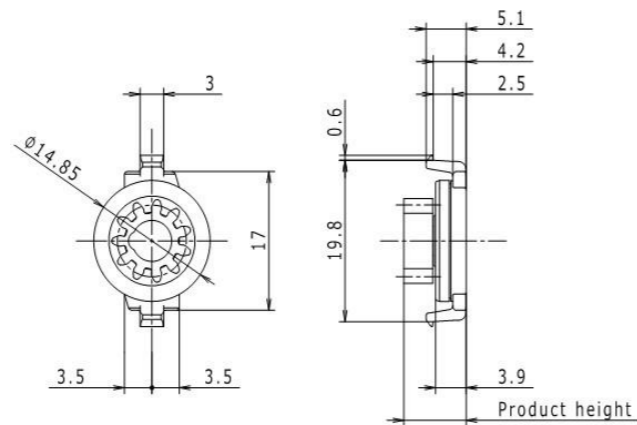
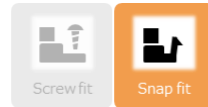


2B6U Gear Damper

SOC Free
Made in China



FITTING HOLE SHAPE (REFERENCE)

◆ Characteristics

- ✓ Torque : 8 types
- ✓ Gear : 4 types

◆ Component parts

| Part name | Material |
|-----------|-------------|
| HOUSING | PC |
| ROTOR | POM |
| CAP | PC |
| GEAR | Table below |
| O-RING | EPDM |
| OIL | SILICONE |

● GEAR Specification

| Type | 11 | 11H | 13 | 16 |
|-----------------------|------------|------------|-------------|-------------|
| | | | | |
| Number of teeth | 11 | 11 | 13 | 16 |
| Tooth width | 3.6 | 5.6 | 3.6 | 4.4 |
| Product height | 7.95 | 10 | 8 | 8.5 |
| Module | 0.8 | 0.8 | 0.8 | 0.8 |
| Pitch circle diameter | $\phi 8.8$ | $\phi 8.8$ | $\phi 10.4$ | $\phi 12.8$ |
| Pressure angle | 20° | 20° | 14.5° | 20° |
| Material | POM | POM | PA66 | PA66 |

Involute full depth

◆ Part number/Specifications

| Part number | Torque [mN·m] | 0 | 2 | 4 | 6 | 8 | 10 | 12 | 14 | 16 | 18 | 20 | 22 | 24 | 26 |
|-------------|---------------|---|---|---|---|---|----|----|----|----|----|----|----|----|----|
| 2B6U - 02 | 2.0 ± 0.8 | | █ | | | | | | | | | | | | |
| 2B6U - 03 | 2.5 ± 0.8 | | █ | | | | | | | | | | | | |
| 2B6U - 04 | 4.0 ± 1.2 | | | █ | | | | | | | | | | | |
| 2B6U - 07 | 7.0 ± 1.4 | | | | █ | | | | | | | | | | |
| 2B6U - 09 | 9.0 ± 1.6 | | | | | █ | | | | | | | | | |
| 2B6U - 13 | 13.5 ± 1.8 | | | | | | █ | | | | | | | | |
| 2B6U - 15 | 15.0 ± 2.0 | | | | | | | █ | | | | | | | |
| 2B6U - 21 | 21.0 ± 2.5 | | | | | | | | | | | | █ | | |

Speed : 20r/min

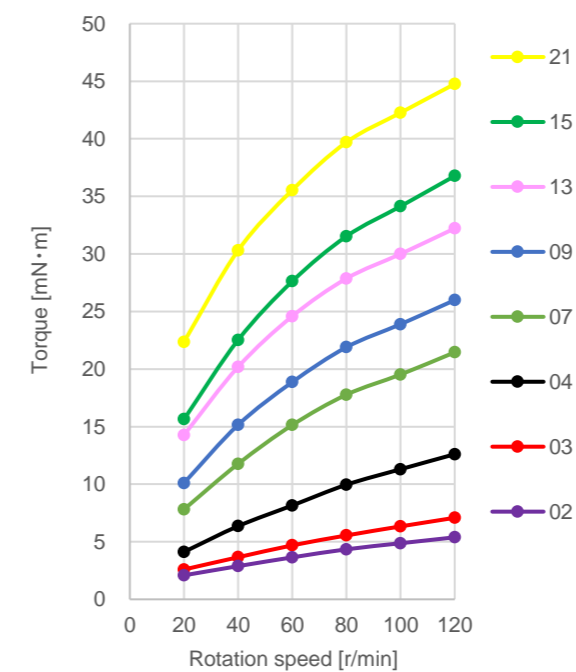
● Durability

Conditions 1 cycle : One rotation (3/2 turn) / 1s → pause / 1s → Reverse rotation (3/2 turn) / 1s → pause / 1s

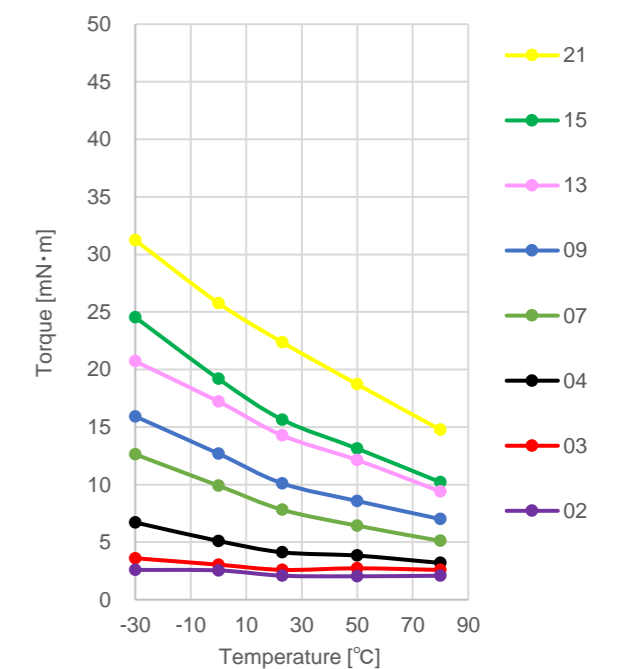
Lifetime 50,000 cycles Room temperature (23°C)

◆ Damper characteristics

● Rotation speed - torque characteristic (23°C)



● Temperature - torque characteristic (20r/min)



※ Specifications are subject to change without notice.