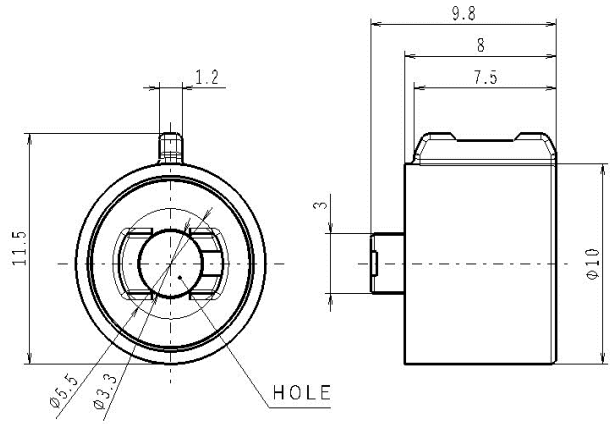


19JT ϕ 10 Barrel Damper

SOC Free
Made in China



- ◆特徴
- ✓ Smallest size with through hole
 - ✓ Torque : 2 types



◆Component parts

名称	材料
HOUSING	POM
ROTOR	PC
O-RING(A)	VMQ
O-RING(B)	VMQ
OIL	SILICONE

◇品番・仕様

Part number	Torque [mN·m]	0	5	10	15	20	50	25	30	35	40	45	50	55	60	65
19JT - 09	8.5 ± 2.5															
19JT - 16	15.5 ± 4.5															

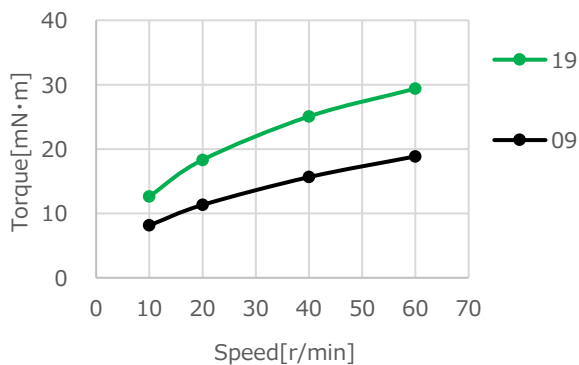
Speed 20r/min

● Durability

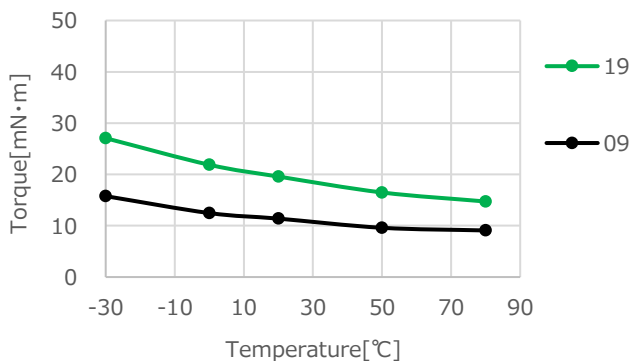
Conditions	1 cycle : One rotation(1/2turn) / 1s → pause / 2s → Reverse rotation(1/2turn) / 1s → pause / 2s
Lifetime	10,000 cycles Room temperature (23°C)

◇ダンパー特性

● Rotation speed - torque characteristic (23°C)



● Temperature - torque characteristic (20r/min)



※ Specifications are subject to change without notice.