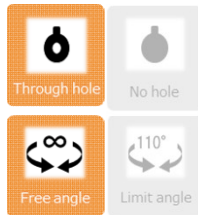


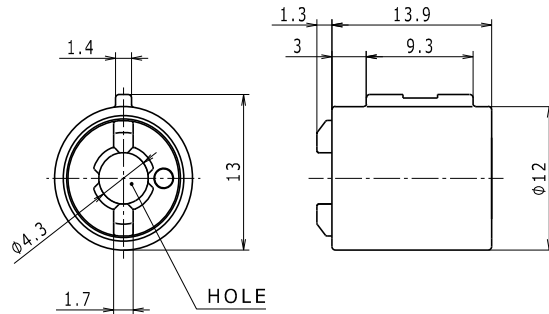
# 16FS $\phi$ 12 Barrel Damper

SOC Free  
Made in China



### ◆ Characteristics

- ✓ Low VOC
- ✓ Color : 5 types



### ◆ Component parts

Part name	Material
HOUSING	POM
ROTOR	PC
O-RING OUTSIDE	EPDM
O-RING INSIDE	EPDM
OIL	SILICONE

## ◇ Part number/Specifications

Part number	Torque [mN·m]	0	10	20	30	40	50	60	70	80	90	100	110	120	130	140	150
16FS - 62	62.0 ± 9.0																

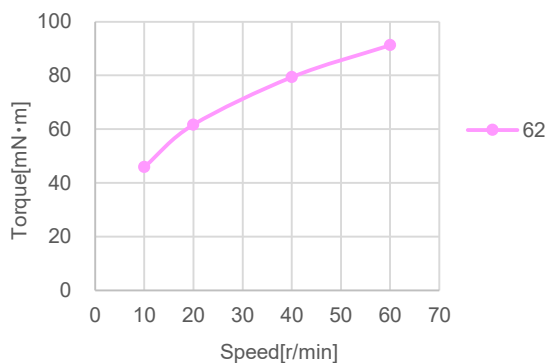
Speed : 20r/min

### ● Durability

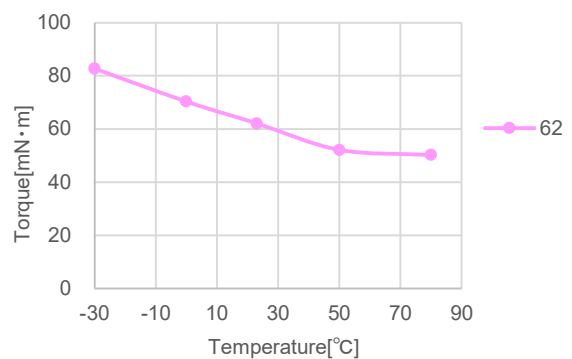
Conditions	1 cycle : One rotation(1/2turn) / 1s → pause / 2s → Reverse rotation(1/2turn) / 1s → pause / 2s
Lifetime	30,000 cycles 『Room temperature(23°C)』 → 1,000 cycles 『-30°C』 → 1,000 cycles 『80°C』

## ◇ Damper characteristics

### ● Rotation speed - torque characteristic (23°C)



### ● Temperature - torque characteristic (20r/min)



※ Specifications are subject to change without notice.