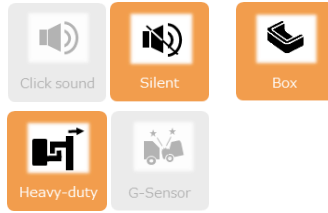
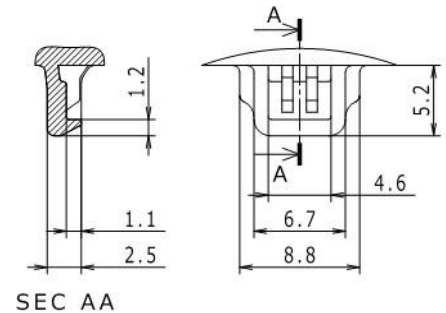
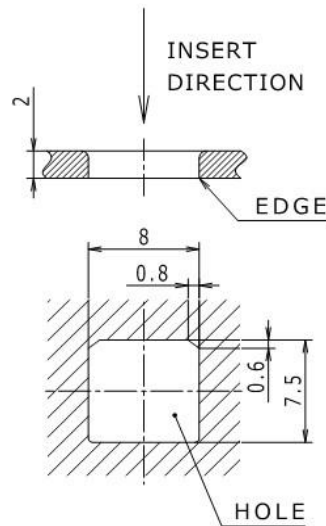
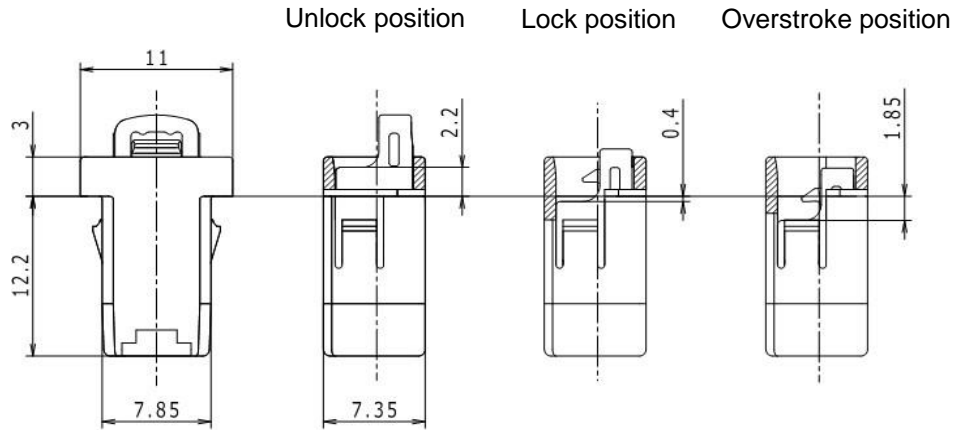


4T7N Silent Heavy-duty Latch

SOC Free
Made in China



◆ Characteristics
 ✓ Improved design
 ✓ Heavy duty type



◆ Component parts

Part name	Material
HOUSING	POM
SLIDER	POM
LOCK	POM
LEVER	SUS
SPRING	SUS
LUBRICANT	-

Fitting hole shape (reference)

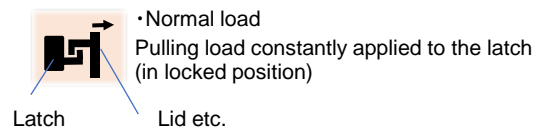
Striker shape (reference)

◇ Part number/Specifications

● Part number	Item	Force [N]	0 1 2 3 4 5 6 7 8 9 10N										
			4T7N	Normal load	6 MAX	[Bar chart showing force levels up to 6N]							
	Operating force	4.0 ± 1.5	[Bar chart showing force levels up to 4N]										

● Durability

Conditions	1 cycle (3s) : Lock → Unlock
Lifetime	30,000cycles Room temperature (23°C)



※ Specifications are subject to change without notice.