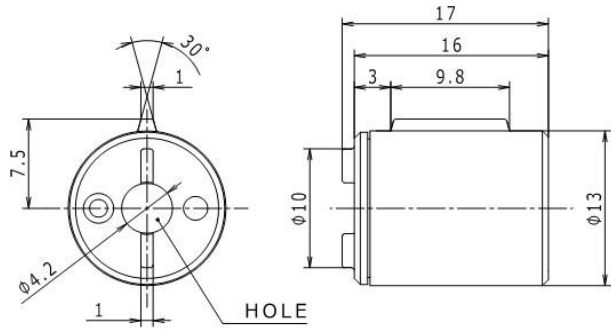
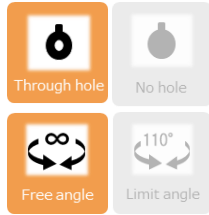


3N3P ϕ 13 Barrel Damper

SOC Free
Made in China



◆ Characteristics

- ✓ Torque : 2 types

◆ Component parts

| Part name | Material |
|----------------|----------|
| HOUSING | ABS |
| CAP | POM |
| O-RING OUTSIDE | EPDM |
| O-RING INSIDE | EPDM |
| OIL | SILICONE |

◇ Part number/Specifications

| ● Part number | Torque [mN·m] | 0 | 10 | 20 | 30 | 40 | 50 | 60 | 70 | 80 | 90 | 100 | 110 | 120 | 130 | 140 | 150 | |
|---------------|---------------|---|----|----|----|----|----|----|----|----|----|-----|-----|-----|-----|-----|-----|--|
| 3N3P - 50 | 50.0 ± 5.0 | | | | | | | | | | | | | | | | | |
| 3N3P - 80 | 80.0 ± 12.0 | | | | | | | | | | | | | | | | | |

Speed : 20r/min

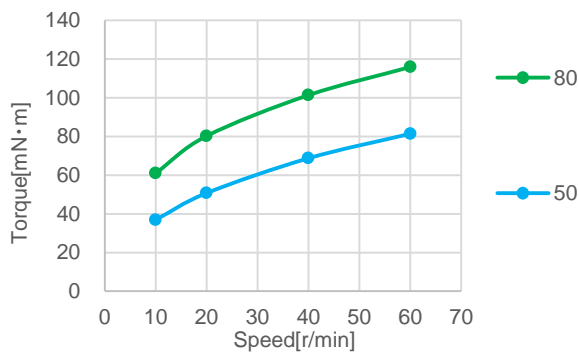
● Durability

Conditions 1cycle : One rotation(1/2turn) / 1s → pause / 2s → Reverse rotation(1/2turn) / 1s → pause / 2s

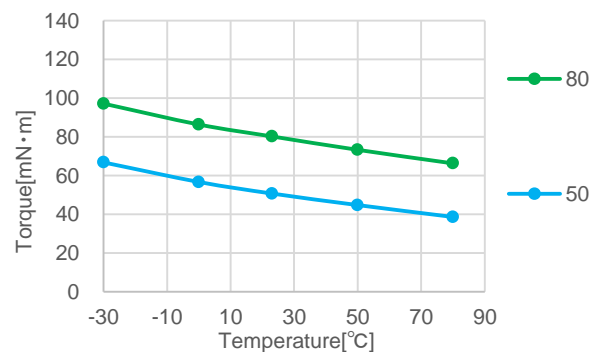
Lifetime 30,000 cycles Room temperature (23°C)

◇ Damper characteristics

● Rotation speed - torque characteristic (23°C)



● Temperature - torque characteristic (20r/min)



※ Specifications are subject to change without notice.