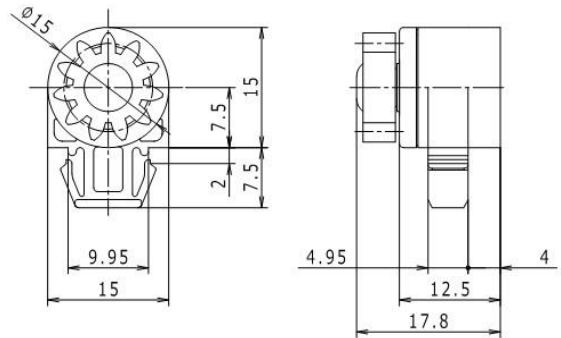
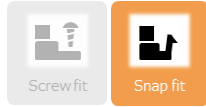


# 335T High Torque Gear Damper

SOC Free  
Made in Japan



### ◆ Characteristics

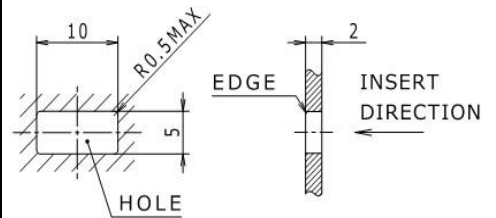
- ✓  $\phi 15$  size maximum torque
- ✓ Torque : 2 types

### ◆ Component parts

Part name	Material
HOUSING	PC
ROTOR	POM
CAP	PC
GEAR	POM
O-RING	VMQ
OIL	SILICONE

### ◆ GEAR Specification

Item	Specification
Number of teeth	11
Tooth width	4
Module	1
Pitch circle diameter	$\phi 11$
Pressure angle	$20^\circ$
Addendum modification coefficient	+0.3



Involute full depth

### ◇ Part number/Specifications

Part number	Torque [mN·m]	0	10	20	30	40	50	60	70	80	90	100	110	120	130	140	150	
335T - 61	$61.0 \pm 6.0$																	
335T - 85	$85.3 \pm 8.5$																	

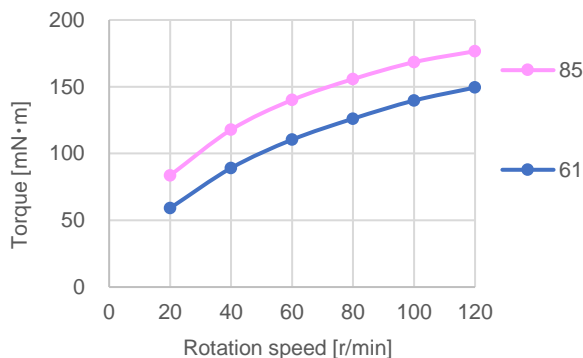
Speed : 20r/min

### ● Durability

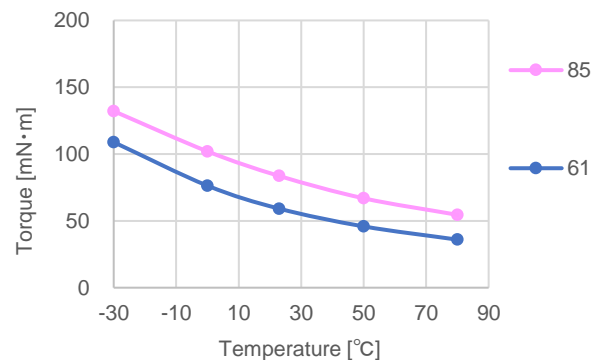
Conditions	1 cycle : One rotation (1/2 turn) / 1s → pause / 1s → Reverse rotation (1/2 turn) / 1s → pause / 1s
Lifetime	20,000 cycles      Room temperature (23°C)

### ◇ Damper characteristics

#### ● Rotation speed - torque characteristic (23°C)



#### ● Temperature - torque characteristic (20r/min)



※ Specifications are subject to change without notice.