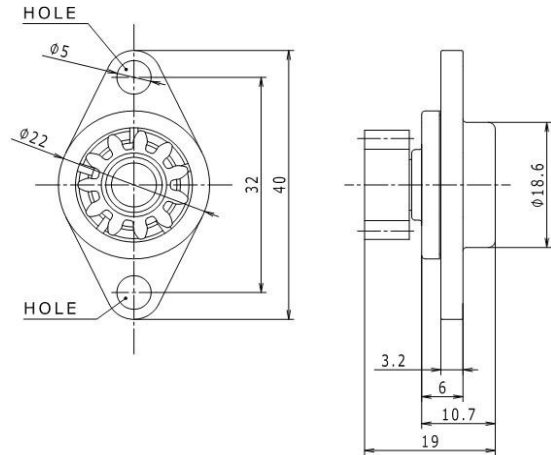
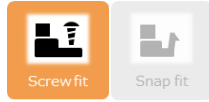


2R8J High Torque Gear Damper

SOC Free
Made in China



◆ Characteristics

- ✓ Maximum torque gear damper
- ✓ Torque : 5 types

◆ Component parts

Part name	Material
HOUSING	PC
ROTOR	POM
CAP	PC
GEAR	PA66
O-RING	EPDM
OIL	SILICONE

◆ GEAR Specification

Item	Specification
Number of teeth	11
Tooth width	6.5
Module	1.25
Pitch circle diameter	φ13.75
Pressure angle	20°

Involute full depth

◇ Part number/Specifications

Part number	Torque [mN·m]	0	10	20	30	40	50	60	70	80	90	100	110	120	130	140	150	
2R8J - 32	32.0 ± 5.0																	
2R8J - 50	50.0 ± 6.0																	
2R8J - 65	65.0 ± 7.0																	
2R8J - 95	95.0 ± 10.0																	
2R8J - 135	135.0 ± 15.0																	

Speed : 20r/min

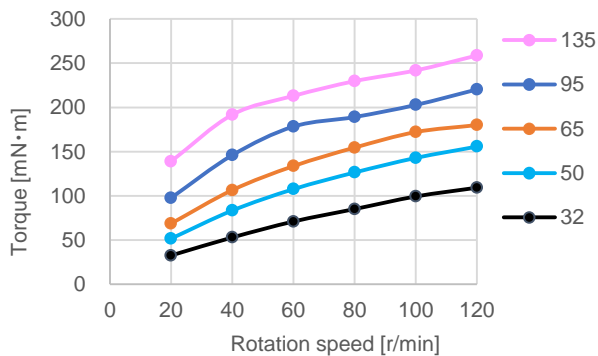
● Durability

Conditions 1 cycle : One rotation (1 turn) / 1s → pause / 1s → Reverse rotation (1 turn) / 1s → pause / 1s

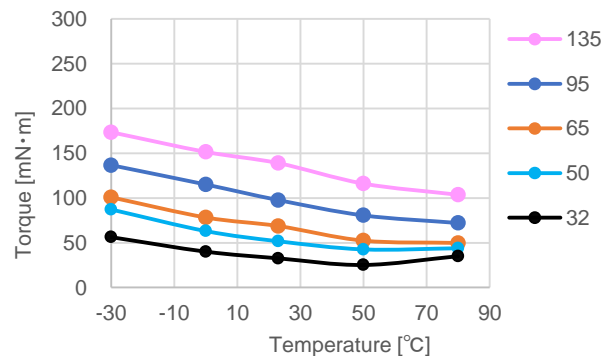
Lifetime 50,000 cycles Room temperature (23°C)

◇ Damper characteristics

● Rotation speed - torque characteristic (23°C)



● Temperature - torque characteristic (20r/min)



※ Specifications are subject to change without notice.