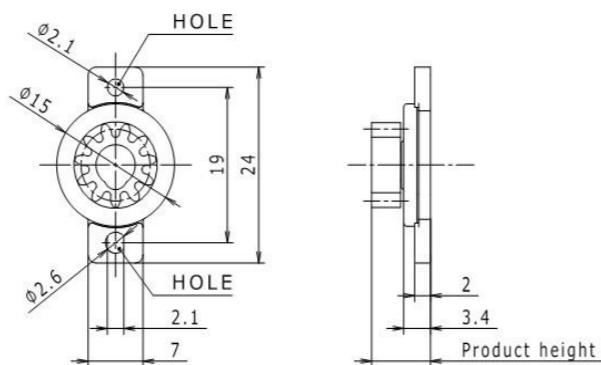
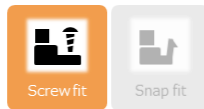


2A6Z-A Fine Tech Gear Damper

SOC Free
Made in Japan



◆ Characteristics

- ✓ 2A6Z Torque tolerance improved version
- ✓ Torque : 10 types
- ✓ Gear : 3 types
- ✓ Low VOC

◆ Component parts

Part name	Material
HOUSING	PC
ROTOR	POM
CAP	PC
GEAR	Table below
O-RING	VMQ
OIL	SILICONE

● GEAR Specification

Type	11	11H	16
Number of teeth	11	11	16
Tooth width	2.6	3.6	4.4
Product height	6.5	7.5	8
Module	0.8	0.8	0.8
Pitch circle diameter	$\phi 8.8$	$\phi 8.8$	$\phi 12.8$
Pressure angle	20°	20°	20°
Material	PA66	PA66	PA66

Involute full depth

◇ Part number/Specifications

● Part number	Torque [mN·m]	0	2	4	6	8	10	12	14	16	18	20	22	24	26
2A6Z-A - 02	2.0 ± 0.5		█												
2A6Z-A - 03	3.0 ± 0.5		█	█											
2A6Z-A - 04	4.0 ± 0.6			█	█										
2A6Z-A - 06	5.5 ± 0.7				█	█									
2A6Z-A - 07	7.0 ± 0.8					█	█								
2A6Z-A - 09	8.5 ± 0.9						█	█							
2A6Z-A - 10	10.0 ± 1.0							█	█						
2A6Z-A - 14	14.0 ± 1.3								█	█					
2A6Z-A - 18	18.0 ± 1.8									█	█				
2A6Z-A - 23	23.0 ± 2.0											█	█		

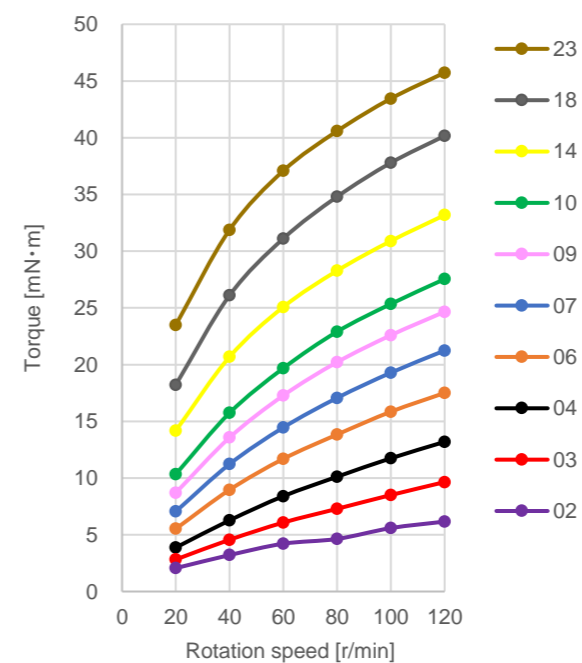
Speed : 20r/min

● Durability

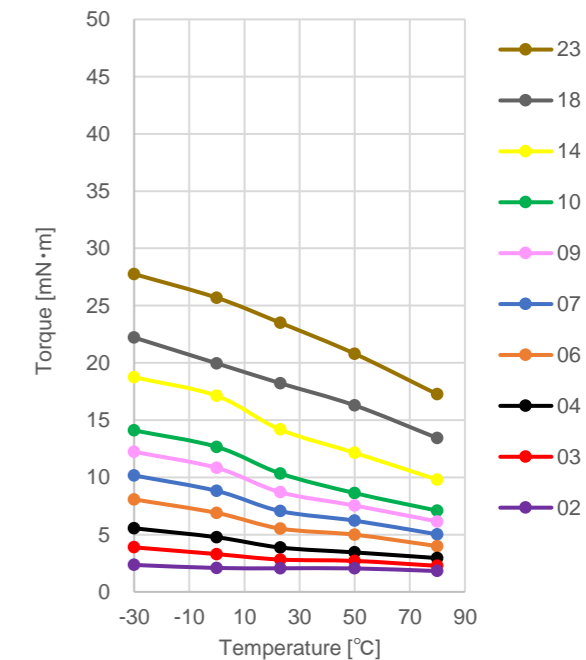
Conditions 1 cycle : One rotation (3/2 turn) / 1s → pause / 1s → Reverse rotation (3/2 turn) / 1s → pause / 1s
Lifetime 50,000 cycles Room temperature (23°C)

◇ Damper characteristics

● Rotation speed - torque characteristic (23°C)



● Temperature - torque characteristic (20r/min)



※ Specifications are subject to change without notice.