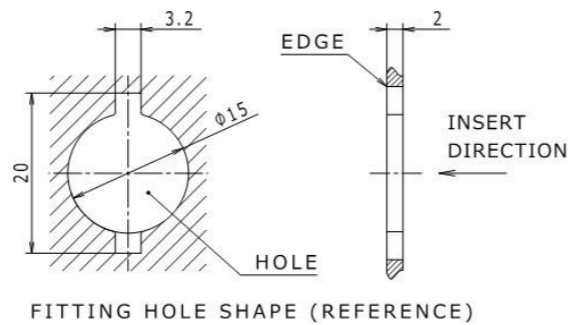
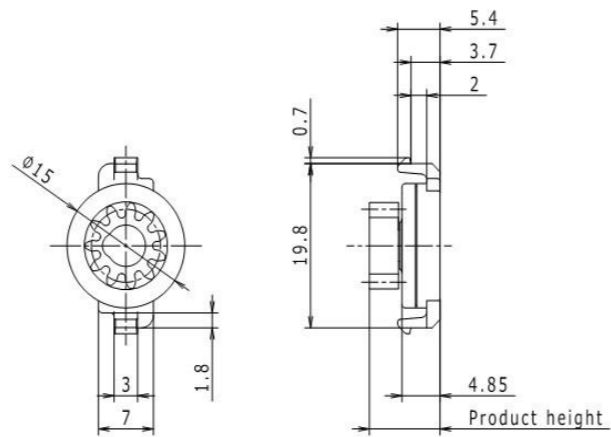
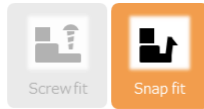


# 1X0U Gear Damper

SOC Free  
Made in Japan



### Characteristics

- ✓ Torque : 7 types
- ✓ Gear : 3 types
- ✓ Low VOC

### Component parts

Part name	Material
HOUSING	PC
ROTOR	POM
CAP	PC
GEAR	Table below
O-RING	EPDM
OIL	SILICONE

### GEAR Specification

Type	11	11H	16
Number of teeth	11	11	16
Tooth width	2.6	3.6	4.4
Product height	8	9	9.6
Module	0.8	0.8	0.8
Pitch circle diameter	φ8.8	φ8.8	φ12.8
Pressure angle	20°	20°	20°
Material	PA66	PA66	PA66

Involute full depth

### Part number/Specifications

Part number	Torque [mN·m]	0	2	4	6	8	10	12	14	16	18	20	22	24	26
1X0U - 03	2.5 ± 0.8		█												
1X0U - 04	4.0 ± 1.0			█											
1X0U - 07	7.0 ± 1.2				█										
1X0U - 10	10.0 ± 1.4					█									
1X0U - 14	13.5 ± 1.6						█								
1X0U - 16	16.5 ± 2.5							█							
1X0U - 23	23.0 ± 3.0													█	

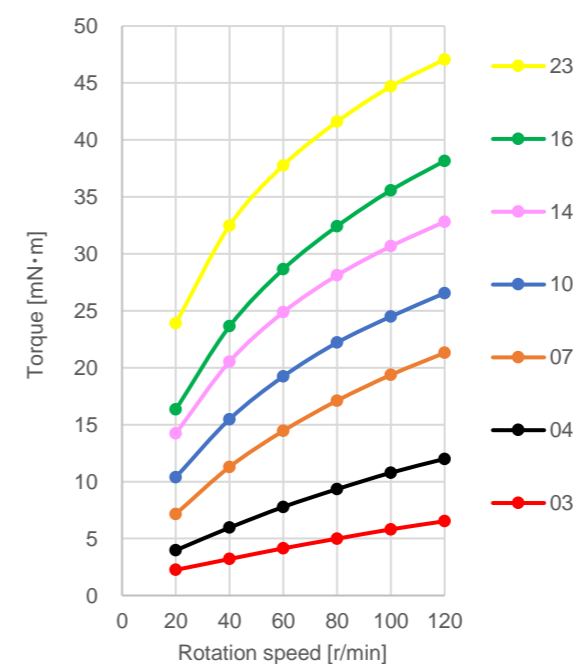
Speed : 20r/min

### Durability

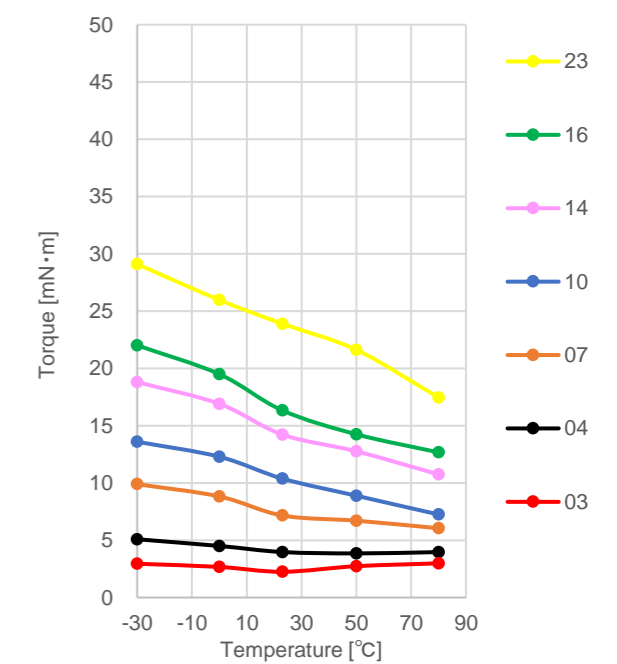
**Conditions** 1 cycle : One rotation (3/2 turn) / 1s → pause / 1s → Reverse rotation (3/2 turn) / 1s → pause / 1s  
**Lifetime** 50,000 cycles Room temperature (23°C)

### Damper characteristics

#### Rotation speed - torque characteristic (23°C)



#### Temperature - torque characteristic (20r/min)



※ Specifications are subject to change without notice.