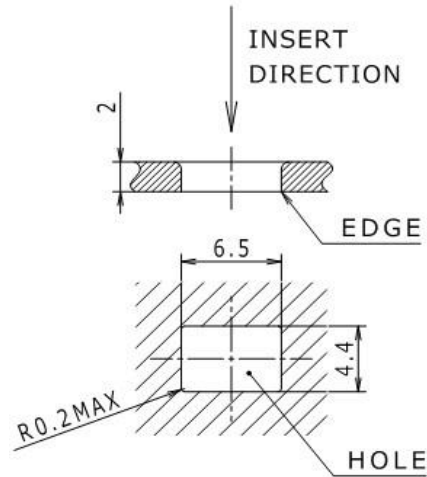
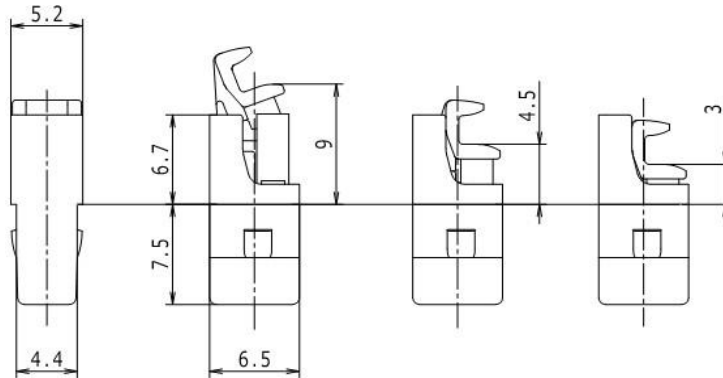
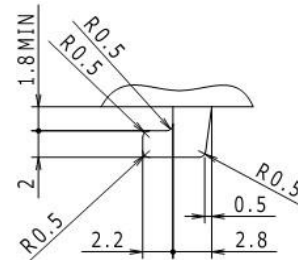


◆ Characteristics
✓ Smallest size latch

Unlock position Lock position Overstroke position



Fitting hole shape (reference)



Striker shape (reference)

◆ Component parts

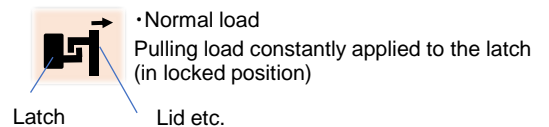
Part name	Material
CASE	POM
LATCH	PA66
GUIDE LEVER	SUS
SPRING	SUS
LUBRICANT	-

◇ Part number/Specifications

● Part number	Item	Force [N]	0	1	2	3	4	5	6	7	8	9	10N
091Y	Normal load	3 MAX											
	Operating force	3 ± 2											

● Durability

Conditions	1 cycle (1.2s) : Lock → Unlock
Lifetime	10,000cycles Room temperature (23°C)



※ Specifications are subject to change without notice.