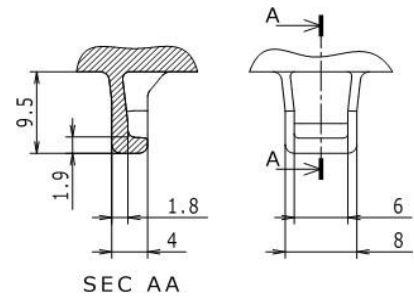
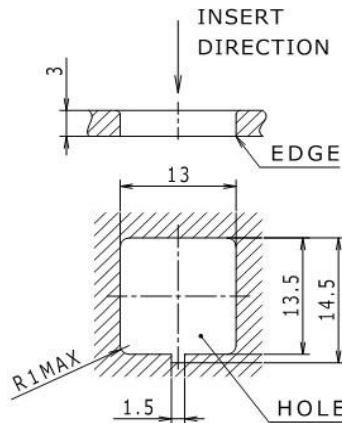
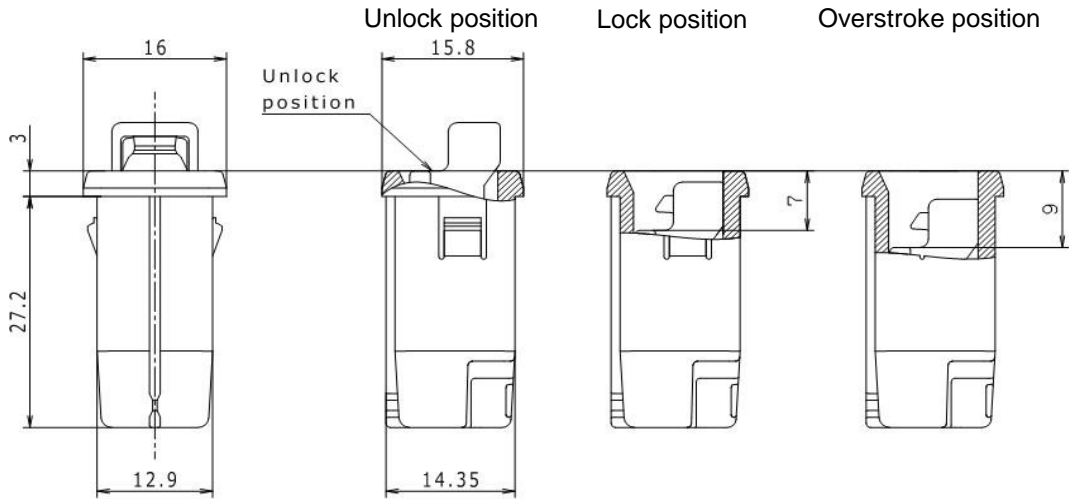


◆ Characteristics  
✓ Heavy duty type



◆ Component parts

Part name	Material
HOUSING	POM
SLIDER	POM
LOCK	PBT
LEVER	SUS
SPRING	SWP-B
LUBRICANT	-

Fitting hole shape (reference)

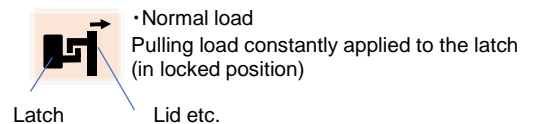
Striker shape (reference)

◇ Part number/Specifications

Part number	Item	Force [N]	0	1	2	3	4	5	6	7	8	9	10N
06RR	Normal load	10 MAX											
	Operating force	4 ± 2											

● Durability

Conditions	1 cycle (3s) : Lock → Unlock
Lifetime	30,000cycles Room temperature (23°C) 5,000cycles (80°C)



※ Specifications are subject to change without notice.