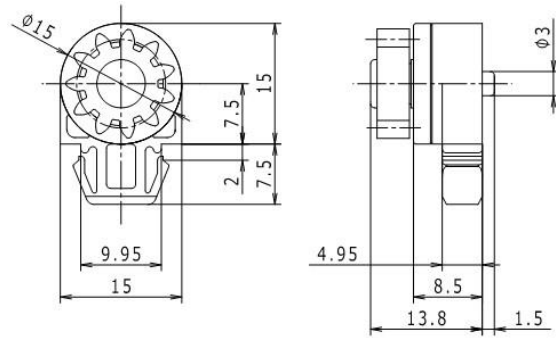
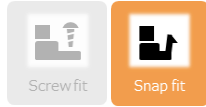


# 058S High Torque Gear Damper

SOC Free  
Made in Japan



### ◆ Characteristics

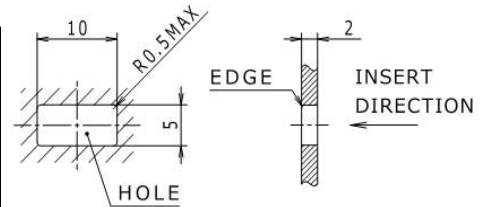
- ✓  $\phi 15$  size high torque
- ✓ Torque : 2 types

### ◆ Component parts

Part name	Material
HOUSING	PC
ROTOR	POM
CAP	PC
GEAR	POM
O-RING	VMQ
OIL	SILICONE

### ◆ GEAR Specification

Item	Specification
Number of teeth	11
Tooth width	4
Module	1
Pitch circle diameter	$\phi 11$
Pressure angle	$20^\circ$
Addendum modification coefficient	+0.3



Involute full depth

### ◇ Part number/Specifications

Part number	Torque [mN·m]	0	5	10	15	20	25	30	35	40	45	50	55	60	65
058S - 23	$22.54 \pm 3.93$														
058S - 47	$46.55 \pm 4.90$														

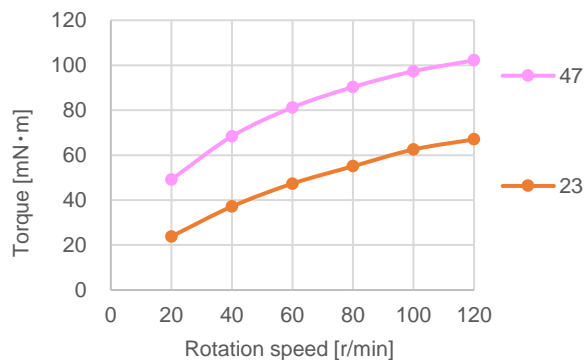
Speed : 20r/min

### ● Durability

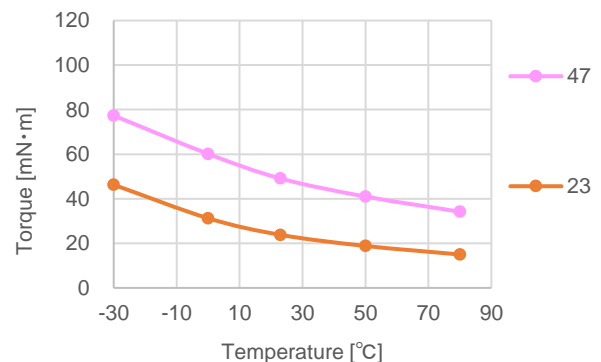
Conditions	1 cycle : One rotation (1/2 turn) / 1s → pause / 1s → Reverse rotation (1/2 turn) / 1s → pause / 1s
Lifetime	30,000 cycles      Room temperature (23°C)

### ◇ Damper characteristics

#### ● Rotation speed - torque characteristic (23°C)



#### ● Temperature - torque characteristic (20r/min)



※ Specifications are subject to change without notice.