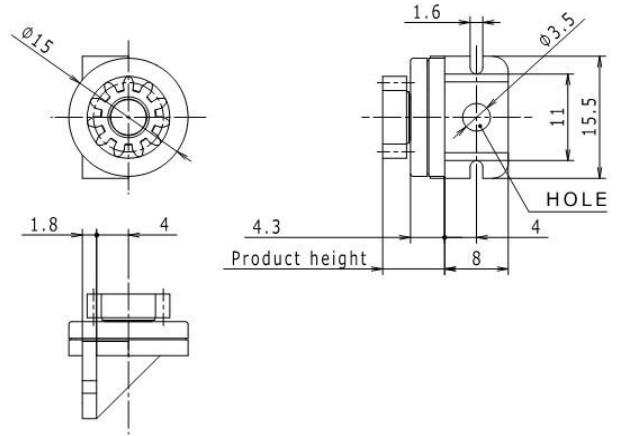
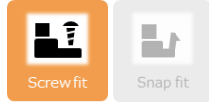


002P Gear Damper for Home Electronics

SOC Free
Made in China



◆ Characteristics

- ✓ Low cost
- ✓ For Office equipment and Home appliance
- ✓ Torque : 5 types
- ✓ Gear : 2 types

◆ Component parts

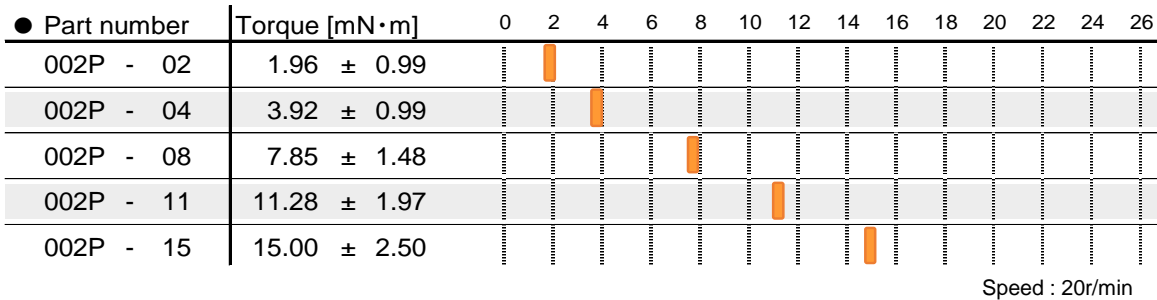
Part name	Material
HOUSING	ABS
ROTOR	POM
CAP	ABS
GEAR	PA66
O-RING	VMQ
OIL	SILICONE

◆ GEAR Specification

Item	Type 11	Type 13
Number of teeth	11	13
Tooth width	3	3.6
Product height	7.8	8.4
Module	0.8	0.8
Pitch circle diameter	$\phi 8.8$	$\phi 10.4$
Pressure angle	20°	14.5°

Involute full depth

◇ Part number/Specifications



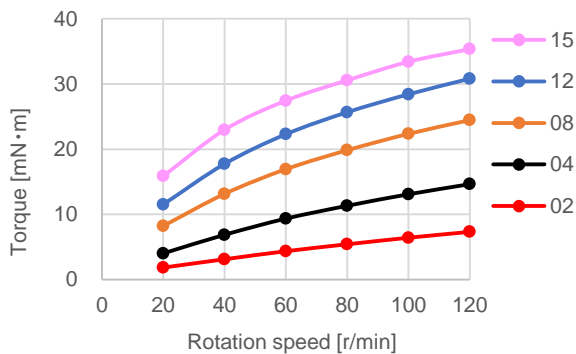
● Durability

Conditions 1 cycle : One rotation (1 turn) / 1s → pause / 1s → Reverse rotation (1 turn) / 1s → pause / 1s

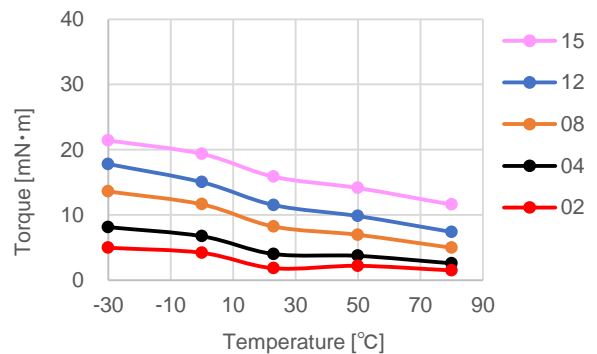
Lifetime 20,000 cycles Room temperature (23°C)

◇ Damper characteristics

● Rotation speed - torque characteristic(23°C)



● Temperature - torque characteristic(20r/min)



※ Specifications are subject to change without notice.